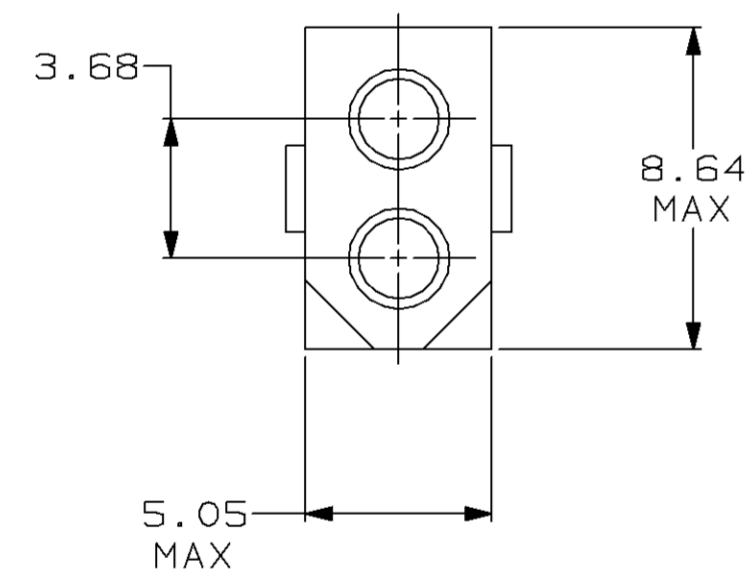
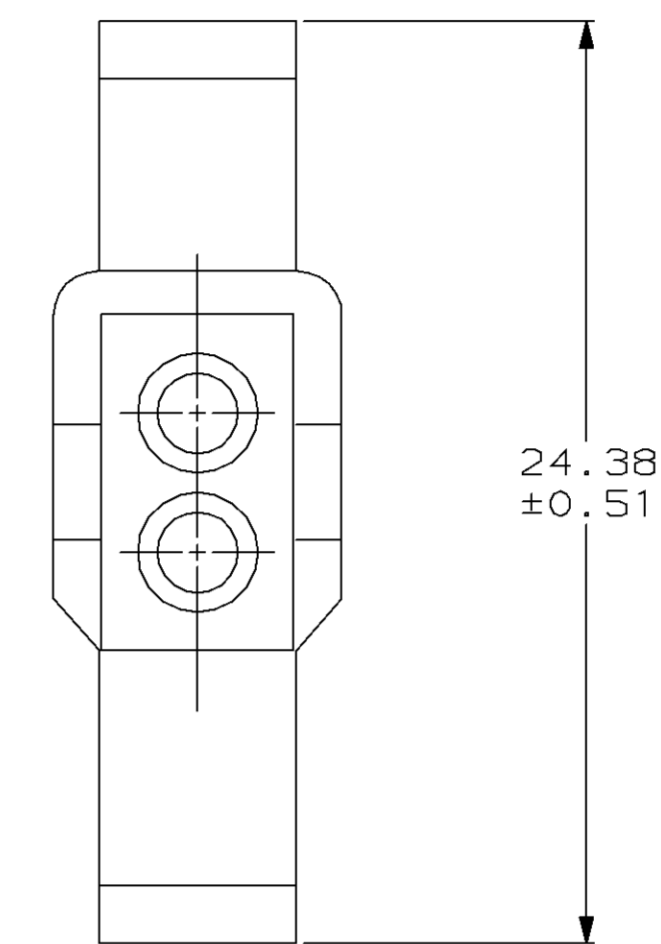
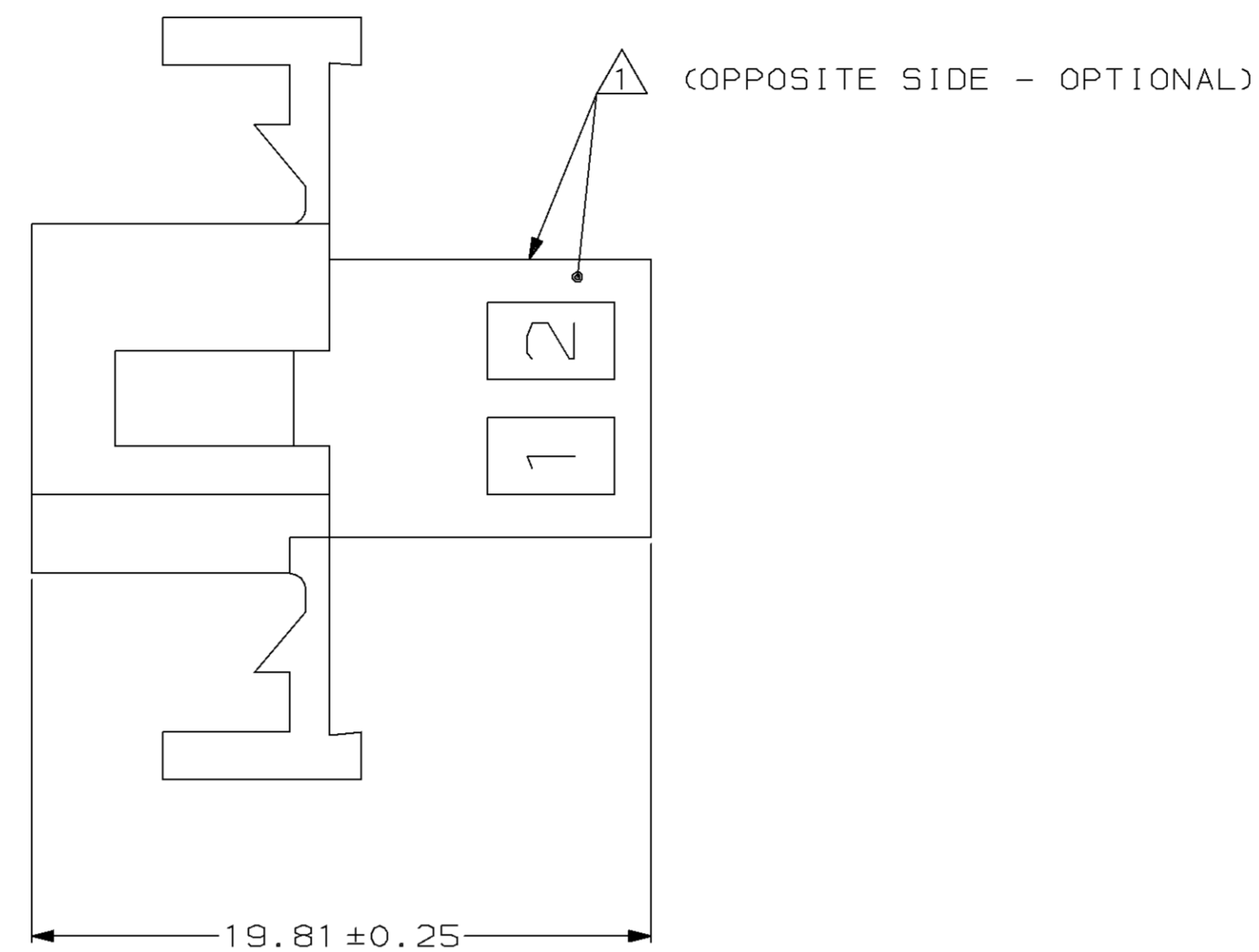
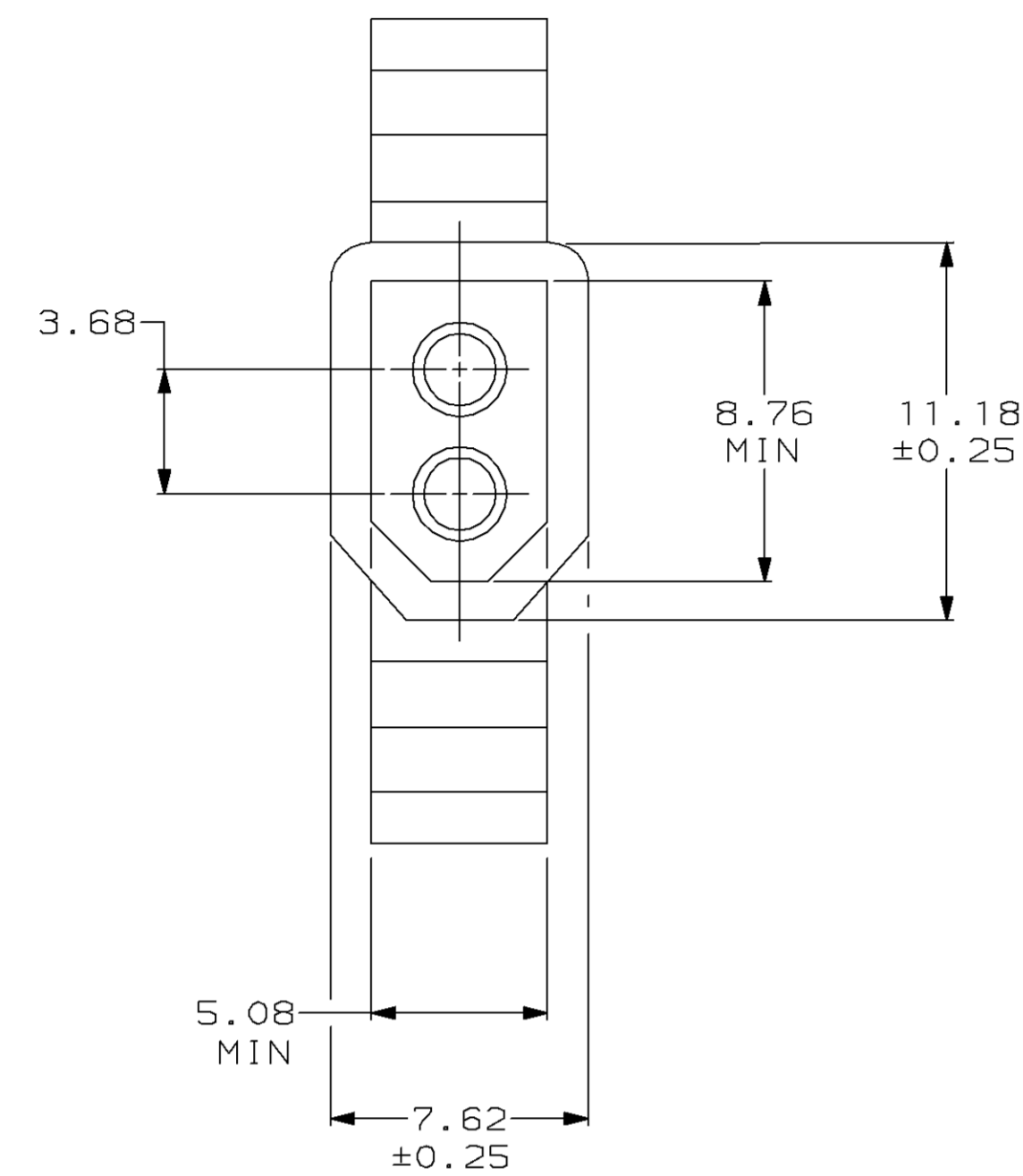
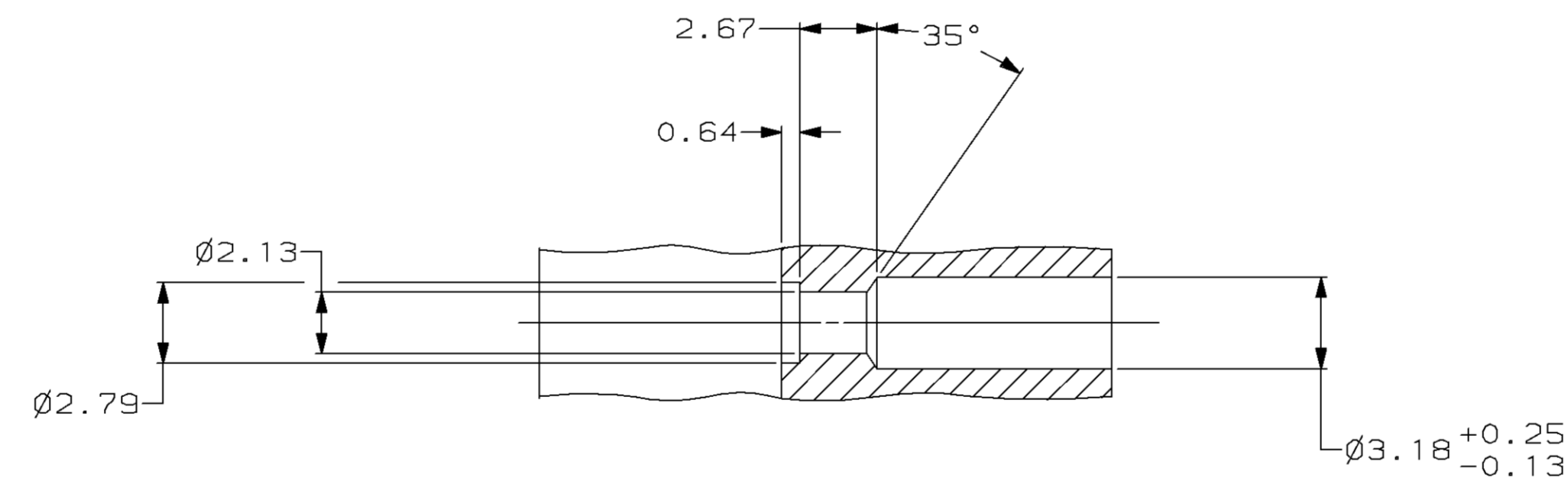


| REVISIONS | | | | | | |
|-----------|------|---|---|------|-----|-----------------------|
| LOC | QIST | P | F | ZONE | LTR | DESCRIPTION |
| CM | 53 | | | | E | REV & REDWN PER CM-11 |
| | | | | | | DATE |
| | | | | | | 11-4-93 |
| | | | | | | APPD |
| | | | | | | KW |

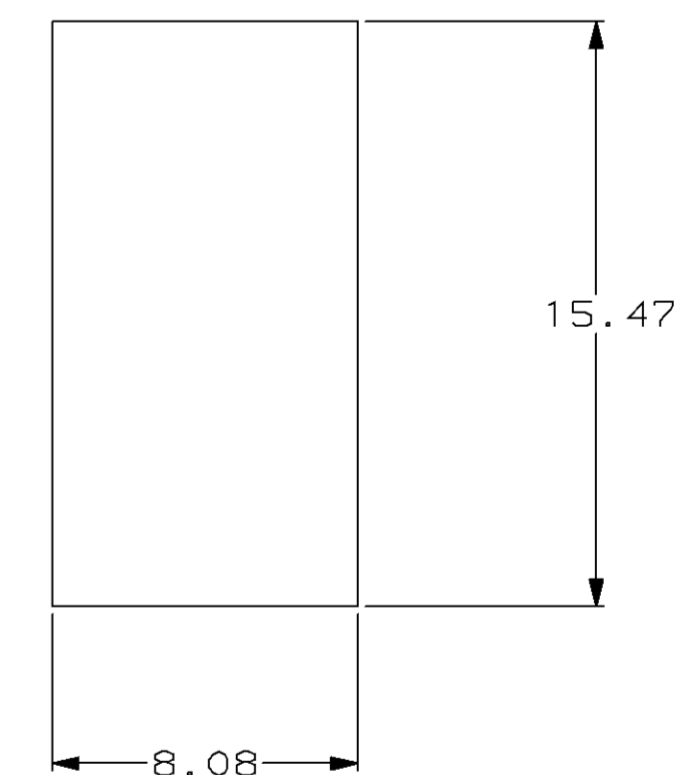
AMP LOGO AND CAVITY NUMBER LOCATED ON EITHER SURFACE.



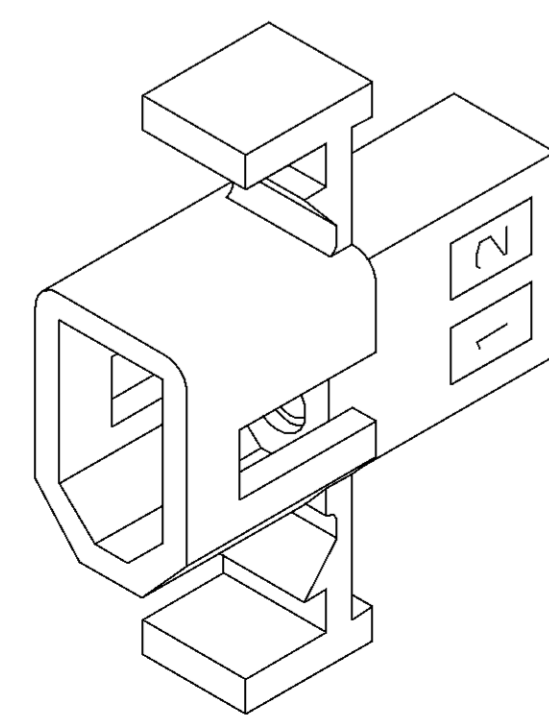
MATING CONNECTOR INTERFACE



TYPICAL PLUG CAVITY SECTION (DIMENSIONS REFERENCE ONLY)



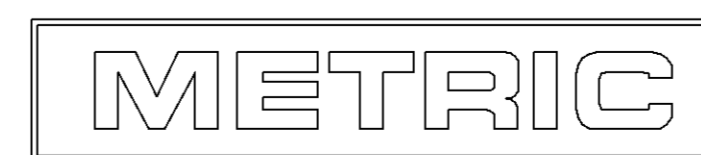
RECOMMENDED CUT OUT FOR 1.52 MAX THICK PANEL



3-DIMENSIONAL MODEL NTS

| MM | IN | MM | IN | MM | IN |
|------|------|------|------|-------|------|
| 2.13 | .084 | 7.62 | .300 | 24.38 | .960 |
| 1.57 | .062 | 5.08 | .200 | 19.81 | .780 |
| 1.52 | .060 | 5.05 | .199 | 15.47 | .609 |
| 0.64 | .025 | 3.68 | .145 | 11.18 | .440 |
| 0.51 | .020 | 3.18 | .125 | 8.76 | .345 |
| 0.25 | .010 | 2.79 | .110 | 8.64 | .340 |
| 0.13 | .005 | 2.67 | .105 | 8.08 | .318 |

CONVERSION TABLE



THIS DRAWING IS A CONTROLLED DOCUMENT FOR AMP INCORPORATED. IT IS SUBJECT TO CHANGE AND THE CONTROLLING ENGINEERING ORGANIZATION SHOULD BE CONTACTED FOR THE LATEST REVISION.

| | | | | | |
|--|--|--|--|--|--|
| DO NOT SCALE PRINT. UNLESS SPECIFIED DIMENSIONS IN mm [INCHES] | | DR 11-4-93 K. WHITAKER | 770341-1 PART NO | | |
| TOLERANCES ON: | | CHK 11-4-93 R. SWING | AMP Incorporated Harrisburg, PA 17105-3608 | | |
| 2 PLC DEC ± 0.13 | | APPD 11-4-93 C. CASH | NAME PLUG, PANEL MOUNT, 2 CIRCUIT, .062 PIN AND SOCKET | | |
| 3 PLC DEC ± - | | APPD 11-4-93 C. CASH | SIZE D 00779 C=770341 | | |
| ANGLES ± 1°0' | | MATERIAL NYLON, UL 94V-2 NATURAL | DRAWING NO C=770341 | | |
| FINISH - | | PRODUCT SPEC - | SCALE 5:1 | | |
| WEIGHT - | | APPLICATION SPEC - | SHEET 1 OF 1 | | |

CUSTOMER DRAWING